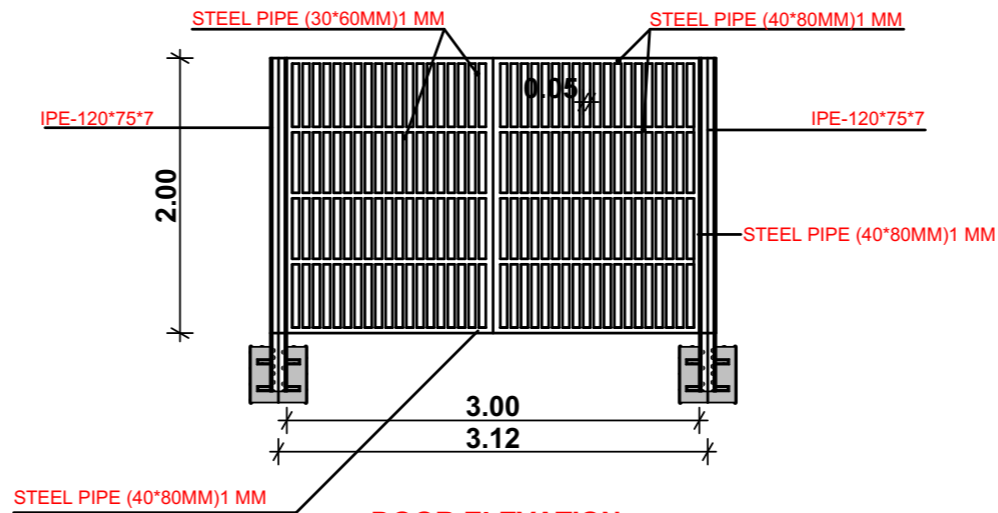
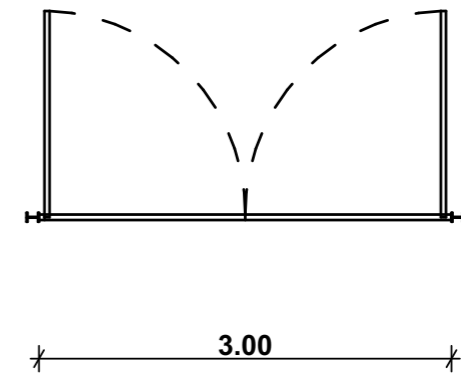


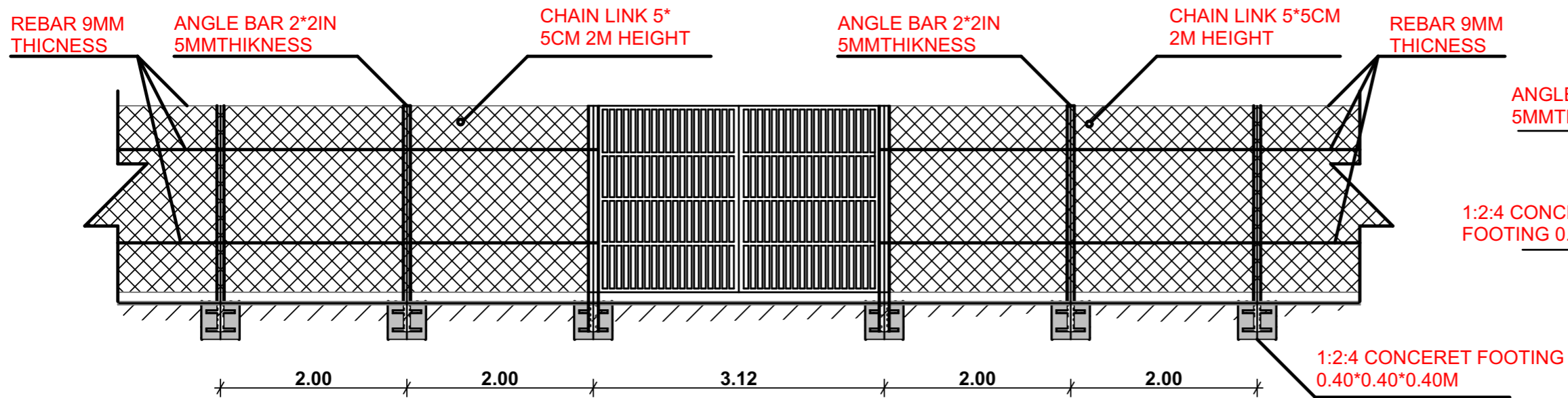
FENCE PLAN



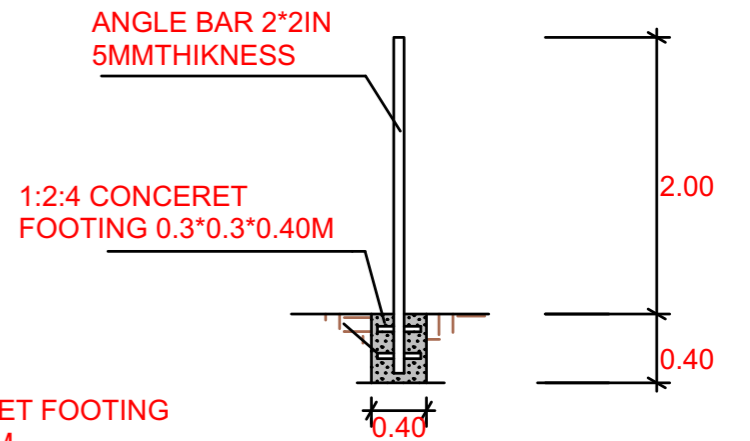
DOOR ELEVATION



DOOR PLAN



FENCE VIEW



POLES DETAILS

Project Name :

Proposed chain link fence

Donor :



Location:

White Nile - Aljableen and
Alsalam localities

Drawn By :

DRC WASH & Infrastructure
Team

Checked & Approved by:

WASH & Infrastructure
Coordinator

Date:

JUNE 2026